
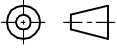


SOURCE DRAWING - FOR REFERENCE ONLY

RELATED DOCUMENTS		3RD ANGLE PROJECTION		THIS DRAWING IS CONFIDENTIAL AND THE PROPERTY OF TURCK INC. USE OF THIS DOCUMENT WITHOUT WRITTEN PERMISSION IS PROHIBITED.		 3000 CAMPUS DRIVE MINNEAPOLIS, MN 55441 1-800-544-7769 (763) 553-7300 (763) 553-0708 fax www.turck.us	
1.				DRFT RDS		DATE 01/10/02	
2.				DSGN		SCALE 1=1.5	
3.		ALL DIMENSIONS DISPLAYED ON THIS DRAWING ARE FOR REFERENCE ONLY		UNIT OF MEASUREMENT		DESCRIPTION	
4.				MILLIMETER [INCH]		PCS-AB KIT	
MATERIAL		ALUMINUM		CONTACT TURCK FOR MORE INFORMATION		IDENTIFICATION NO.	
FINISH				DO NOT SCALE THIS DRAWING		REV	
						A5121	
A DRAWING RELEASE		RDS 01/15/02		FILE: A5121		SHEET 1 OF 1	
REV DESCRIPTION		BY DATE ECO NO.					

A	DRAWING RELEASE	RDS	01/15/02	
REV	DESCRIPTION	BY	DATE	ECO NO.